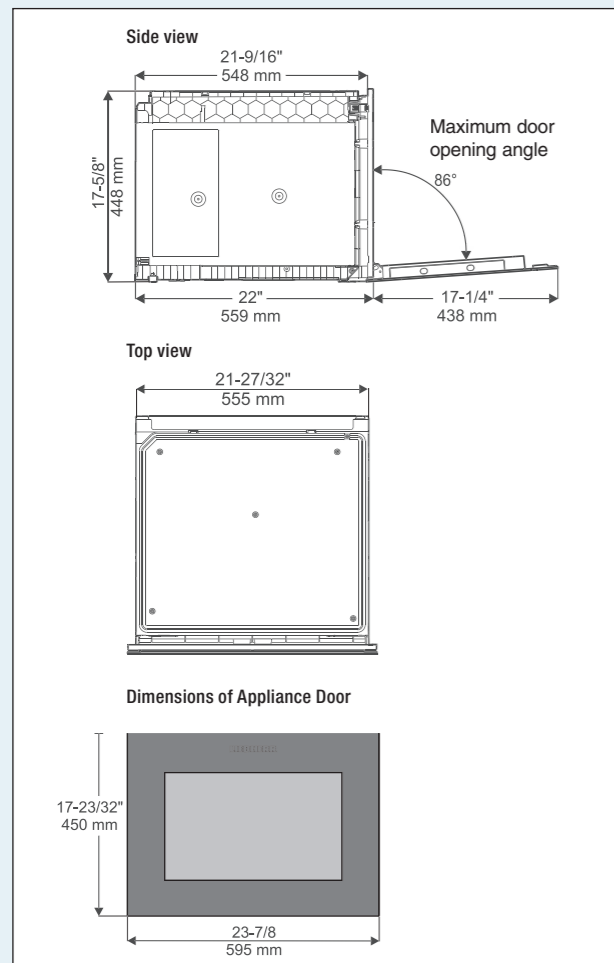


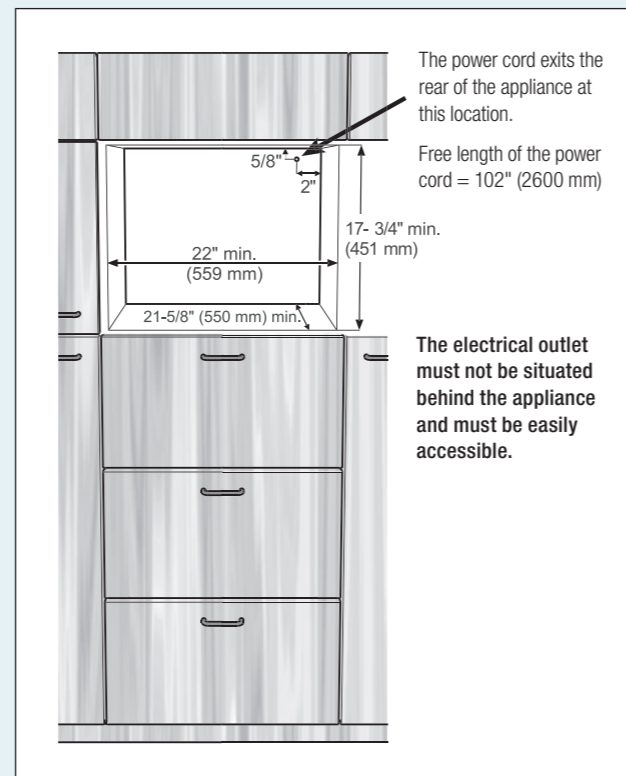
## Diagrams

◀24▶

### Appliance Dimensions

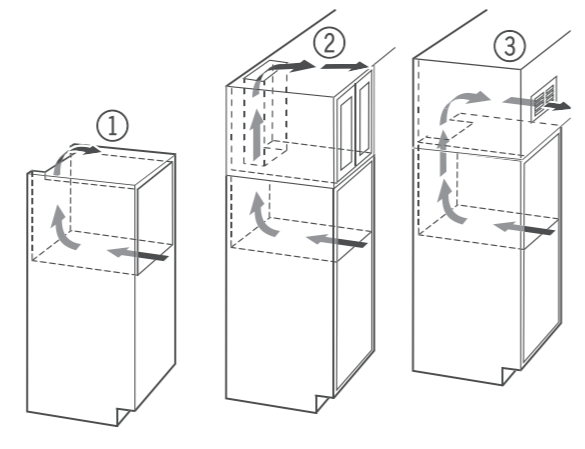


### Cabinet Dimensions



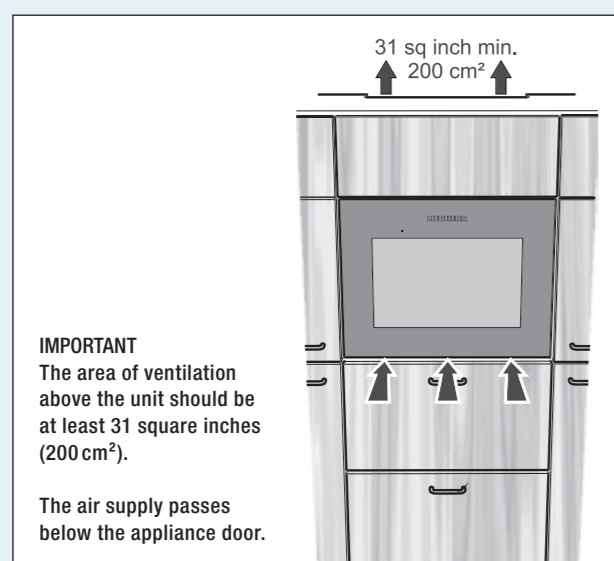
### Ventilation

- ① Directly above the appliance
- ② Above the top unit
- ③ From the front of the top unit with decor grill



**IMPORTANT**  
When using decor grills, the sum of the individual openings must total a minimum of 31 square inches. A cut-out section of 31 square inches (200 cm<sup>2</sup>) for installing the ventilation grill is thus not sufficient.

### Ventilation



# Liebherr HWgb 1803

## Fully Integrated Wine Cabinet



**G** GERMAN  
ENGINEERING

# LIEBHERR

Quality, Design and Innovation

## Fully Integrated Wine Cabinet

◀24"▶

The innovative and superbly designed **HWgb 1803** wine cabinet is designed for today's modern kitchen. Featuring high-performance technology alongside easy-to-use features, the HWgb 1803 prove it's possible to save energy without compromising convenience and design.

Employing state-of-the-art climate technology with heating and cooling circuits, alongside FreshAir activated filtration, the HWgb 1803 ensures the very best conditions for wines to quietly mature and develop their full flavor. Precision electronics, TipOpen technology, specialized compressors, plus dozens of innovative features and accessories make Liebherr's wine storage cabinet HWgb 1803 perfect for optimally storing wine.



### Fully Integrated Wine Cabinet

#### Capacity

Total capacity cu.ft. (l)  
Max. No. of Bordeaux btls 0.75 l

**Shipping weight lbs. (kg)**

**Climate rating**

**Sound rating dB(A)**

**Door hinges**

**Product dimensions**

in inches (cm) H/W/D

**Cut out dimensions**

in inches (cm) H /W/D

**Energy supply**

Voltage V/Hz

**ADA compliant**

### HWgb 1803 GrandCru

Wine

LED

Soft  
System

Telescopic  
Rails

Tip  
Open

1.7 (46)

18

90.4 (41)

SN-ST

34\*\*

drop-down door with TipOpen technology

17 3/4" / 22 1/16" / 21 11/16" (45 / 56 / 55)

Min. 17 3/4" / 22 1/16" / 21 11/16" (45 / 56 / 55)

115/60

Yes

## Features

◀24"▶



**German Engineering:** Our superior products offer premium quality, cutting edge design and innovative features that fit your busy lifestyle. Exclusive components and materials, along with the latest production processes, ensure energy efficiency and performance for years to come.



Soft  
System

**SoftSystem:** The SoftSystem gentle-closing mechanism cushions movement as the door is shut to ensure extremely gentle closing, preventing vibration, which affects the quality of the wine.



LED

**LED Lighting:** Dimmable LED lighting, which evenly illuminates the interior and can be left on permanently if desired. Because LEDs generate minimal heat, wines can be illuminated and beautifully presented for long term storage.



Electronic  
Control

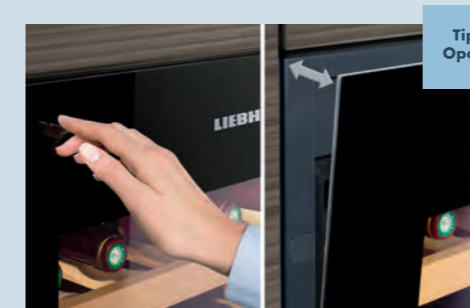
**Precision Electronics:** The precise electronic controls have a digital temperature display and are easy to use, via either a touch screen interface or electronic keys depending on the model.



**Beech wood Shelving:** Solid beech wood shelves on telescopic rails for easy wine access.



**FreshAir Activated Charcoal Filter:** Liebherr wine cabinets are fitted with easy-to-replace FreshAir activated charcoal filters to ensure clean air. Odors are filtered out and the quality of the wine is protected.



Tip  
Open

**TipOpen technology:** When the glass door is gently tapped, TipOpen technology partially opens the unit, facilitating further opening. If the door is not opened fully within three seconds, the door will self-close, ensuring that the ideal air humidity does not escape from the cabinet.



**UV Protection:** In order to minimize the exposure of light which can damage the maturity of a wine, Liebherr wine cabinets are fitted with special UV-resistant insulated glass; simultaneously protecting and presenting your wine.



**Alarm System:** Liebherr Wine units are equipped with a trustworthy alarm system to alert the homeowner if the door has been left open or the temperature has been compromised.

\* Energy Cost will depend on utility rates and use. Estimated energy cost based on a national average electricity cost of 12 cents per kWh.

\*\* Noise output – according to EN 60704-3